

BP-MF691 (05) Datasheet

MEDIUM-FLOW BACK PRESSURE REGULATOR



Gas
 Liquid
 |
 Diaphragm
 Piston
 |
 Max Rating: 690 bar (10,000 psi)
 |
 Control Range: 690 bar (10,000 psi)
 |
 Cv 0.5



INTRODUCING THE BP-MF691 (05)...

The BP-MF691 (05) is a piston-sensed medium-flow back pressure regulator for liquid applications. It includes Hastelloy® seating for excellent protection from cavitation and positive shut-off on medium-flow applications.

The BP-MF691 (05) accurately controls inlet pressures of up to 690 bar (10,000 psi) and vents excess pressure back via the threaded NPT or Medium Pressure outlet port.

SPECIFICATION

Max. Rating	690 bar (10,000 psi)
Control Range	Up to 690 bar (10,000 psi)
Design Proof Pressure	150% max. working pressure
Seat Leakage	In accordance with ANSI/FCI 70-3
Weight	5kg (11lbs)

* Pressure regulator rating may be limited by connection type, Cv and/or seat material

STANDARD MATERIALS OF CONSTRUCTION

PART	MATERIALS
Body and Bonnet	AISI 316/316L Stainless Steel (UNS S31600/S31603) or AISI 17-4 PH Stainless Steel (UNS S17400)
Main Valve Pin	Inconel® 718 (UNS N07718)
Seat	Hastelloy®
Valve Spring	Elgiloy® (UNS R30003)
Piston	AISI 316/316L Stainless Steel (UNS S31600/S31603)
Handwheel	Nylon
O-Rings	NBR or FKM/FPM
Loading Spring	Silicon Chrome Wire/Spring Alloy

FEATURES AND BENEFITS

1 PISTON SENSING ELEMENT

Perfect for use in challenging conditions.

2 PRECISION MACHINED SENSING ELEMENT

For accurate pressure control.

3 OPTIONAL AIR ACTUATOR

For fine remote adjustment.

4 OPTIONAL FLANGED CONNECTION

For compatibility with flanged systems.

Product availability and specifications contained herein are subject to change without notice. Consult local distributor or factory for potential revisions and/or service related issues. Pressure Tech Ltd support with product selection recommendations only - it is the users responsibility to ensure the product is suitable for their specific application requirements.



DESIGNED AND BUILT IN THE UK

PRESSURE TECH LTD

Unit 24, Graphite Way, Hadfield, Glossop, Derbyshire, UK, SK13 1QH
 T +44 (0)1457 899 307
 E sales@pressure-tech.com
 W www.pressure-tech.com

250321

PAGE:
1 OF 4

BP-MF691 (05) Datasheet

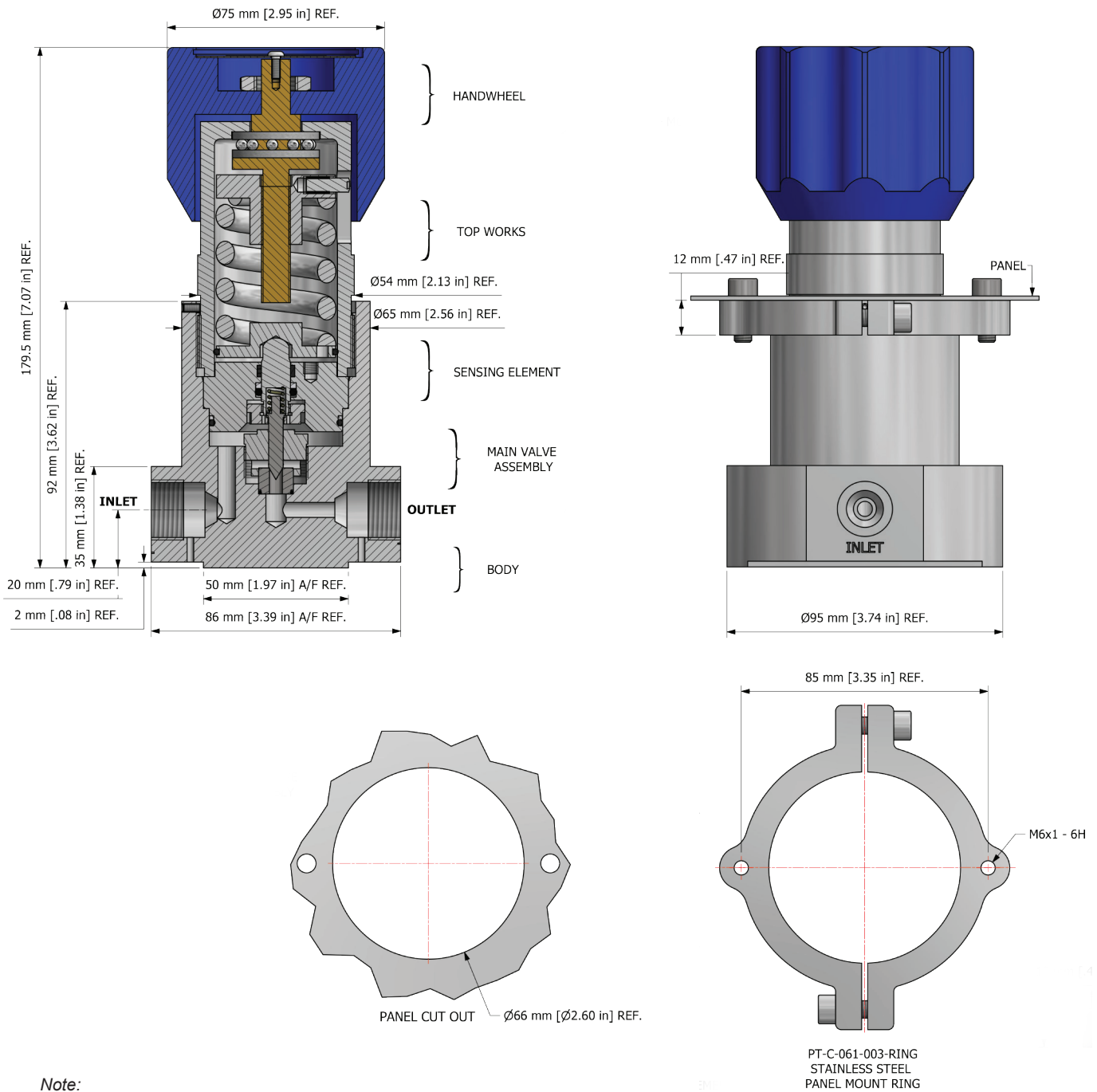
MEDIUM-FLOW BACK PRESSURE REGULATOR



● Gas ● Liquid | ● Diaphragm ● Piston | Max Rating: 690 bar (10,000 psi) | Control Range: 690 bar (10,000 psi) | Cv 0.5

DRAWINGS AND INSTALLATION DIMENSIONS

Dimensions shown for 1/2" Medium Pressure option - please contact the office for additional connection options.



Note:

All gauge ports are 1/4" NPT as standard.

Product availability and specifications contained herein are subject to change without notice. Consult local distributor or factory for potential revisions and/or service related issues. Pressure Tech Ltd support with product selection recommendations only - it is the users responsibility to ensure the product is suitable for their specific application requirements.



DESIGNED AND BUILT IN THE UK

PRESSURE TECH LTD

Unit 24, Graphite Way, Hadfield, Glossop, Derbyshire, UK, SK13 1QH
 T +44 (0)1457 899 307
 E sales@pressure-tech.com
 W www.pressure-tech.com

250321

PAGE:
2 OF 4

BP-MF691 (05) Datasheet

MEDIUM-FLOW BACK PRESSURE REGULATOR

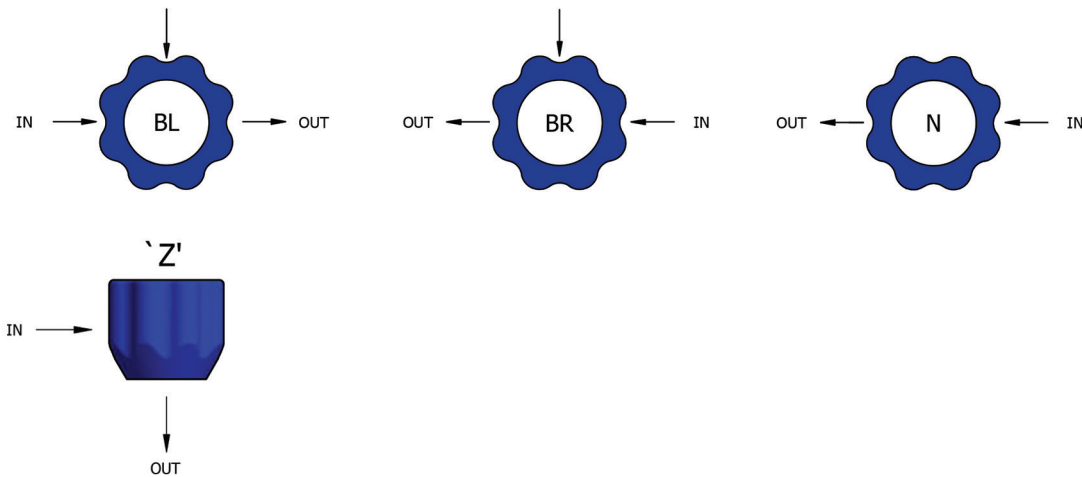


● Gas ● Liquid | ● Diaphragm ● Piston | Max Rating: 690 bar (10,000 psi) | Control Range: 690 bar (10,000 psi) | Cv 0.5

FLOW CURVE

Please contact the office for further information.

PORTING CONFIGURATIONS



Note:

Additional porting configurations are available - please contact the office for further information.

Product availability and specifications contained herein are subject to change without notice. Consult local distributor or factory for potential revisions and/or service related issues. Pressure Tech Ltd support with product selection recommendations only - it is the users responsibility to ensure the product is suitable for their specific application requirements.



DESIGNED AND BUILT IN THE UK

PRESSURE TECH LTD

Unit 24, Graphite Way, Hadfield, Glossop, Derbyshire, UK, SK13 1QH
T +44 (0)1457 899 307
E sales@pressure-tech.com
W www.pressure-tech.com

250321

PAGE:
3 OF 4

BP-MF691 (05) Datasheet

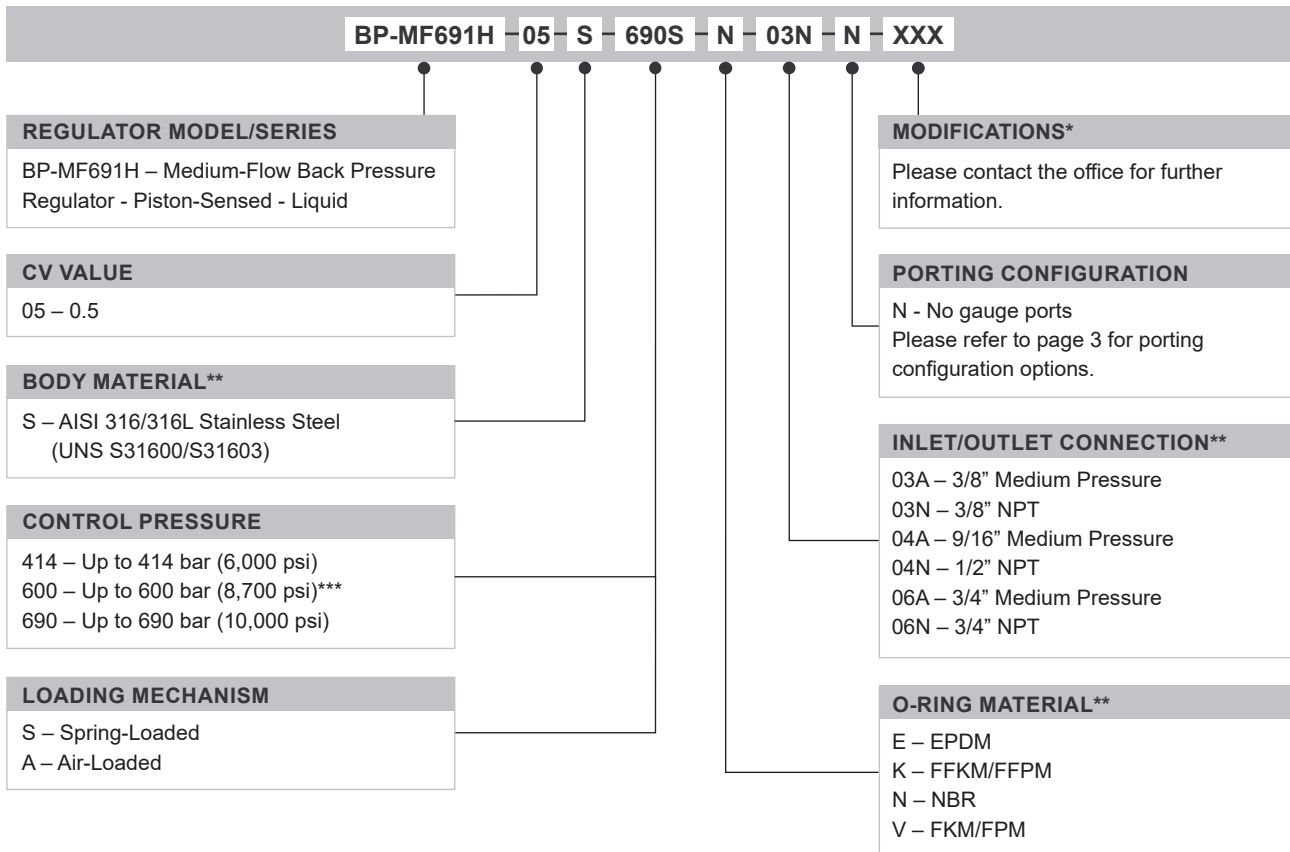
MEDIUM-FLOW BACK PRESSURE REGULATOR



● Gas ● Liquid | ● Diaphragm ● Piston | Max Rating: 690 bar (10,000 psi) | Control Range: 690 bar (10,000 psi) | Cv 0.5

ORDERING INFORMATION

To build a Pressure Tech part number, simply combine the characters identified below in sequence:



OPTIONAL EXTRAS		
	PART NUMBER	DESCRIPTION
Service Kit	SRK-BP-MF691-05...	Various options available
Panel Mounting Ring	PT-C-061-003-RING	Panel mount ring

Note:
Ancillary equipment also available

TRADEMARK: Elgiloy® is a registered trademark of Elgiloy Specialty Metals
Inconel® is a registered trademark of Inco Alloys International
Hastelloy® is a registered trademark of Haynes International, Inc

* Where applicable
** Other materials/connections may be available - please contact the office
*** Air-loaded only

Product availability and specifications contained herein are subject to change without notice. Consult local distributor or factory for potential revisions and/or service related issues.
Pressure Tech Ltd support with product selection recommendations only - it is the users responsibility to ensure the product is suitable for their specific application requirements.



DESIGNED AND BUILT IN THE UK

PRESSURE TECH LTD
Unit 24, Graphite Way, Hadfield, Glossop, Derbyshire, UK, SK13 1QH
T +44 (0)1457 899 307
E sales@pressure-tech.com
W www.pressure-tech.com

250321

PAGE:
4 OF 4